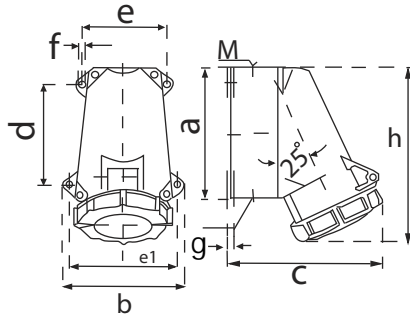




Twistlock Wall Socket Gen 2 (IP67)



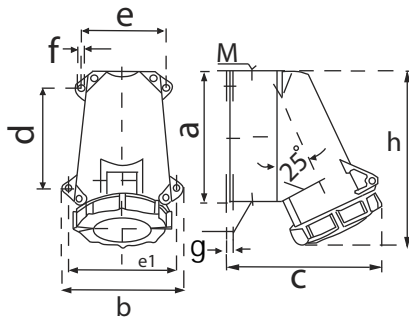
AJ1131
AJ1231
Voltage(V) : 220-240V
Protection degree : IP67



Earth contact position	6h		
Rated current (A)	16	32	
	Pole 3		
Dimension (mm)	a	95	120
	b	102	112
	c	115	143
	d	64.2	90.2
	e	77.5	79
	e1	88	98.5
	Cable nominal cross-section area (mm ²)	1-2.5	2.5-6



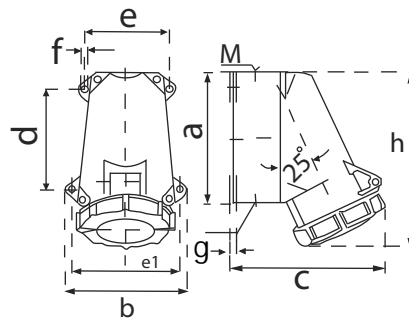
AJ1141
AJ1241
Voltage(V) : 380-415V
Protection degree : IP67



Earth contact position	6h		
Rated current (A)	16	32	
	Pole 4		
Dimension (mm)	a	95	120
	b	102	112
	c	124	143
	d	64.2	90.2
	e	77.5	79
	e1	88	98.5
	Cable nominal cross-section area (mm ²)	1-2.5	2.5-6



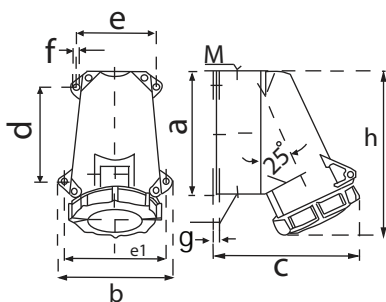
AJ1151
AJ1251
Voltage(V) : 220-380V
240-415V
Protection degree : IP67



Earth contact position	6h		
Rated current (A)	16	32	
	Pole 5		
Dimension (mm)	a	95	120
	b	102	112
	c	129	150
	d	64.2	90.2
	e	77.5	79
	e1	88	98.5
	Cable nominal cross-section area (mm ²)	1-2.5	2.5-6



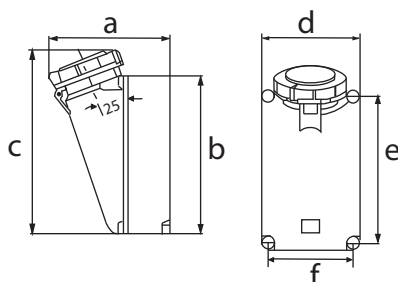
AJ1241-3hr
Voltage(V) : 380-415V
Protection degree : IP67



Earth contact position	3h	
Rated current (A)	32	
	Pole	4
Dimension (mm)	a	120
	b	112
	c	143
	d	90.2
	e	79
	e1	98.5
Cable nominal cross-section area (mm ²)	2.5-6	



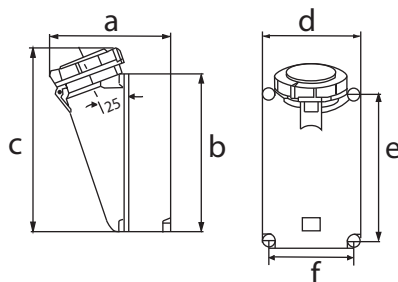
AJ1332
Voltage(V) : 220-240V
Protection degree : IP67



Earth contact position	6h	
Rated current (A)	63	
	Pole	3
Dimension (mm)	a	176
	b	171
	c	225
	d	119
	e	136
	f	103
Cable nominal cross-section area (mm ²)	6-16	



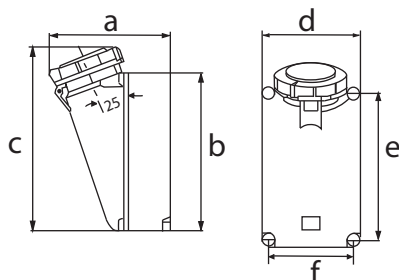
AJ1342
AJ1442
Voltage(V) : 380-415V
Protection degree : IP67



Earth contact position	6h	
Rated current (A)	63	125
	Pole	4
Dimension (mm)	a	176
	b	171
	c	225
	d	119
	e	136
	f	103
Cable nominal cross-section area (mm ²)	6-16	16-50



AJ1352
AJ1452
Voltage(V) : 220-380V
240-415V
Protection degree : IP67



Earth contact position	6h	
Rated current (A)	63	125
	Pole	5
Dimension (mm)	a	176
	b	171
	c	225
	d	119
	e	136
	f	103
Cable nominal cross-section area (mm ²)	6-16	16-50