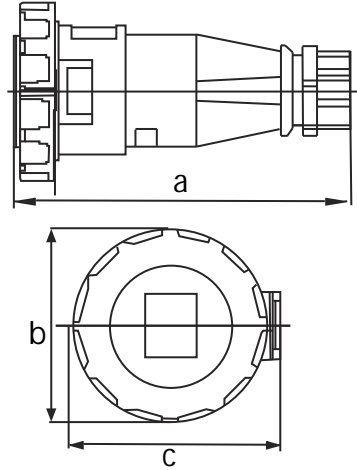




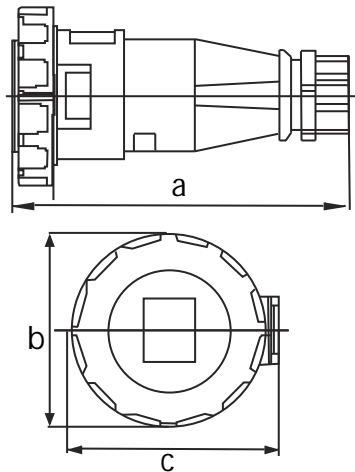
AJ2131
AJ2231
Voltage(V) : 220-240V
Protection degree : IP67



Earth contact position	6h		
Rated current (A)	16	32	
	Pole 3		
Dimension (mm)	a	160	203
	b	54.7	67.5
	c	105.5	135.7
Cable nominal cross-section area (mm ²)	1-2.5	2.5-6	



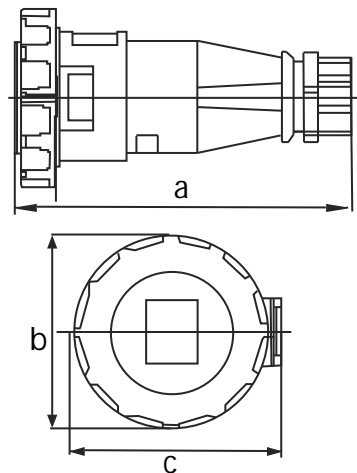
AJ2141
AJ2241
Voltage(V) : 380-415V
Protection degree : IP67



Earth contact position	6h		
Rated current (A)	16	32	
	Pole 4		
Dimension (mm)	a	160	203
	b	54.7	67.5
	c	105.5	135.7
Cable nominal cross-section area (mm ²)	1-2.5	2.5-6	



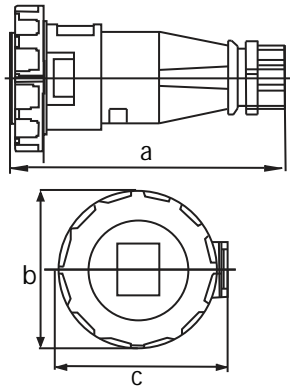
AJ2151
AJ2251
Voltage(V) : 220-380V
240-415V
Protection degree : IP67



Earth contact position	6h		
Rated current (A)	16	32	
	Pole 5		
Dimension (mm)	a	167	205.5
	b	56.3	67.5
	c	110.9	137.5
Cable nominal cross-section area (mm ²)	1-2.5	2.5-6	



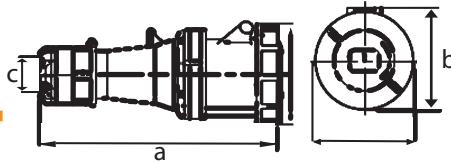
AJ2241-3hr
Voltage(V) : 380-415V
Protection degree : IP67



Earth contact position	3h	
Rated current (A)	32	
	Pole	4
Dimension (mm)	a	203
	b	67.5
	c	135.7
Cable nominal cross-section area (mm ²)	2.5-6	



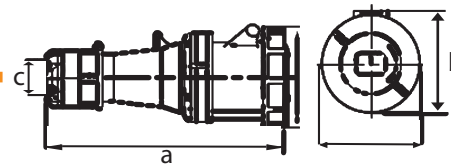
AJ2332
Voltage(V) : 220-240V
Protection degree : IP67



Earth contact position	6h	
Rated current (A)	63	
	Pole	3
Dimension (mm)	a	275
	b	114
	c	23
Cable nominal cross-section area (mm ²)	6-16	



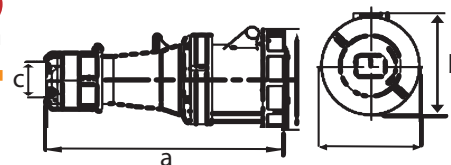
AJ1342
AJ1442
Voltage(V) : 380-415V
Protection degree : IP67



Earth contact position	6h		
Rated current (A)	63	125	
	Pole	4	
Dimension (mm)	a	275	290
	b	114	128
	c	23	31
Cable nominal cross-section area (mm ²)	6-16	16-50	



AJ1352
AJ1452
Voltage(V) : 220-380V
240-415V
Protection degree : IP67



Earth contact position	6h		
Rated current (A)	63	125	
	Pole	5	
Dimension (mm)	a	275	290
	b	114	128
	c	23	31
Cable nominal cross-section area (mm ²)	6-16	16-50	